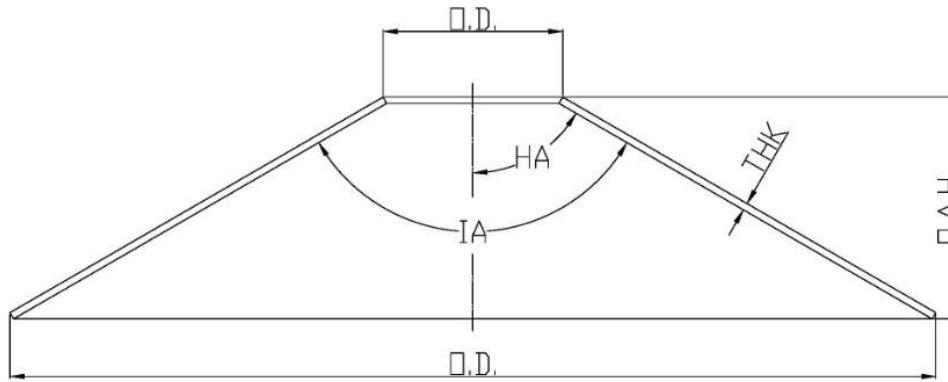




# Conical

## Specifications

**Typical Thin Out Allowance:** 1/2" and under – Add .03125" to the minimum  
 Over 1/2" – Add .0625" to the minimum



- HA:** Half Angle
- IA:** Included Angle
- THK:** Thickness
- OD:** Outside Diameter
- OAH:** Overall Height

## Capabilities

Diameter	3/16"	1/4"	5/16"	3/8"	1/2"	5/8"
24	•	•	•	•	•	
30	•	•	•	•	•	
48	•	•	•	•	•	•
60	•	•	•	•	•	•
72	•	•	•	•	•	•
84	•	•	•	•	•	•
96	•	•	•	•	•	•
120	•	•	•	•	•	•
144	•	•	•	•	•	•
156		•	•	•	•	•
168		•	•	•	•	•
174		•	•	•	•	•
192		•	•	•	•	•
216			•	•	•	•
240			•	•	•	•
288			•	•	•	•
Unlimited			•	•	•	•

Parameters are given as reference only.

Please contact a sales representative for specific inquiries. Other sizes and thicknesses, including light gauge jacket heads, are available upon application.